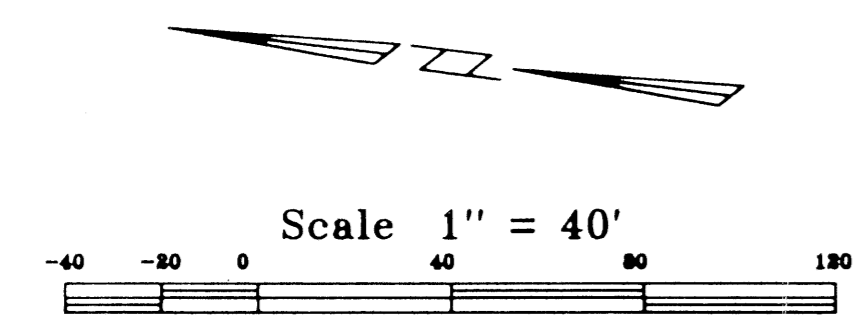


# LAKEFIELD OF THE LANDINGS AT WELLINGTON P.U.D. PLAT 2A REPLAT

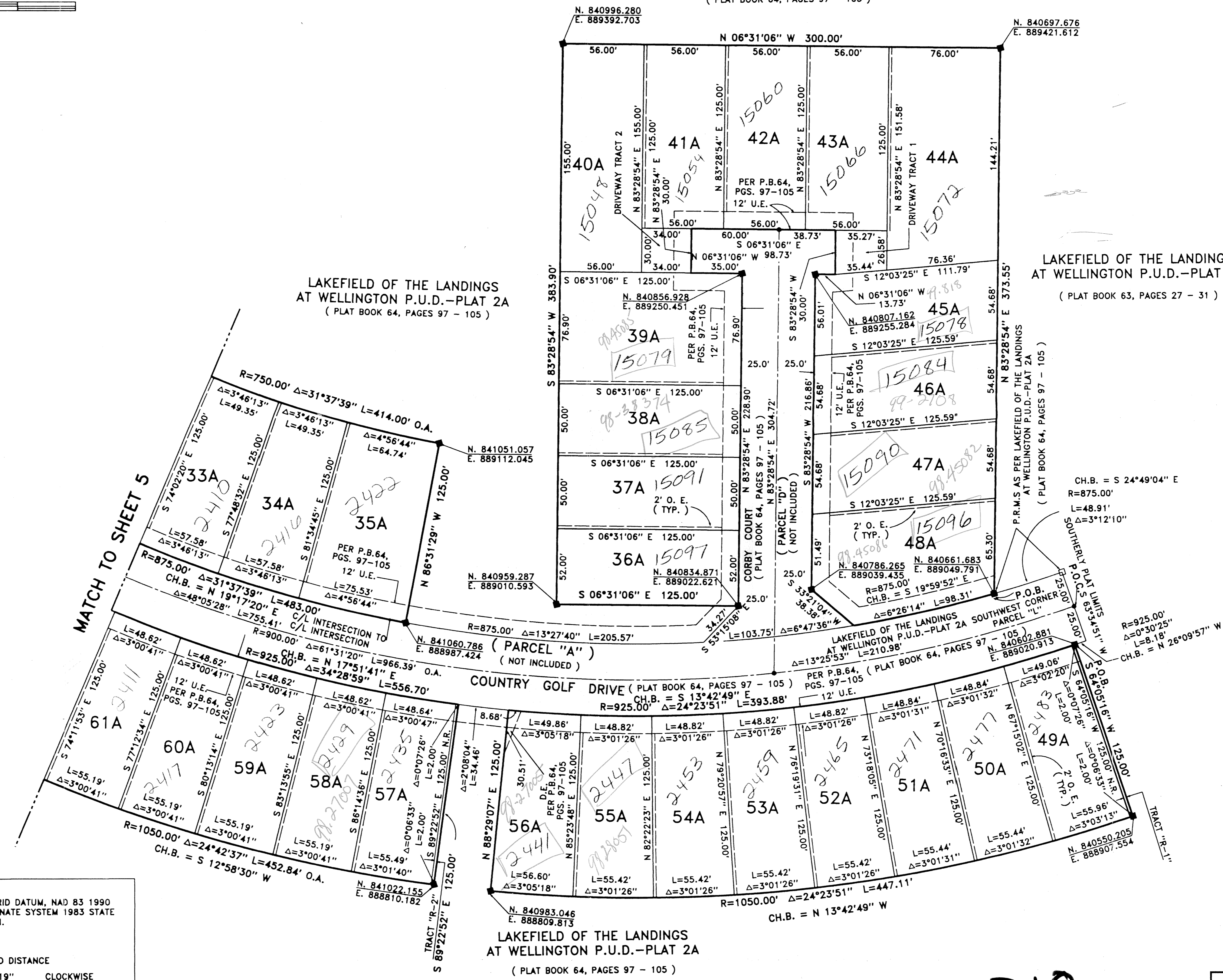
# 136

BEING A REPLAT OF A PORTION OF LAKEFIELD OF THE LANDINGS AT WELLINGTON P.U.D. PLAT 2A, AS RECORDED IN PLAT BOOK 64, PAGES 97 THRU 105, PUBLIC RECORDS OF PALM BEACH COUNTY, FLORIDA AND LYING IN PART OF SECTION 7 AND 18 TOWNSHIP 44 SOUTH, RANGE 41 EAST, VILLAGE OF WELLINGTON, PALM BEACH COUNTY, FLORIDA  
SHEET 6 OF 6 MARCH , 1997

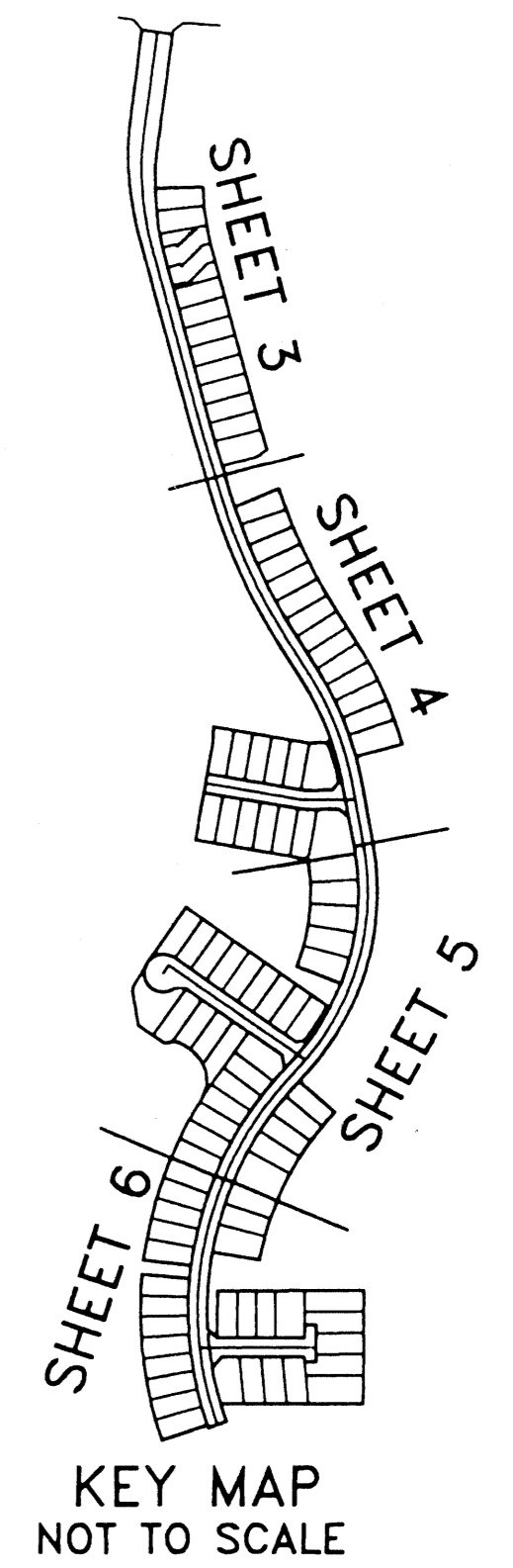


STATE OF FLORIDA  
COUNTY OF PALM BEACH  
This Plat was filed for record at \_\_\_\_\_  
M. This day of \_\_\_\_\_, 19\_\_\_\_  
and duly recorded in Plat Book No. \_\_\_\_\_  
on Page \_\_\_\_\_  
Dorothy H. Wilken, Clerk of the Circuit Court  
By \_\_\_\_\_ D.C.

LAKEFIELD OF THE LANDINGS AT WELLINGTON P.U.D.—PLAT 2A  
( PLAT BOOK 64, PAGES 97 - 105 )



LAKEFIELD OF THE LANDINGS AT WELLINGTON P.U.D.—PLAT 2B  
( PLAT BOOK 63, PAGES 27 - 31 )



**COORDINATE NOTE:**  
STATE PLANE COORDINATES SHOWN ARE GRID DATUM, NAD 83 1990 ADJUSTMENT, FLORIDA EAST ZONE, COORDINATE SYSTEM 1983 STATE PLANE TRANSVERSE MERCATOR PROJECTION.  
LINEAR UNIT = US SURVEY FEET  
ALL DISTANCES ARE GROUND  
SCALE FACTOR = 1.0000028  
GROUND DISTANCE X SCALE FACTOR = GRID DISTANCE  
N 86°57'51" W (PLAT BEARING) +00°59'19" CLOCKWISE BEARING ROTATION (PLAT TO GRID)  
N 85°58'32" W (GRID BEARING) BEARING ROTATION (PLAT TO GRID)  
THE SOUTH LINE OF LOTS 89A THRU 94A AS SHOWN HEREON ON SHEET 4

SUBDIVISION PLANNING PER PLAT BOOK 64, PAGES 97-105  
BOOK 64, PAGE 105  
FLOOD ZONE MAP  
QUAD # 2400  
SE 70  
ZIP CODE 33414  
PUD NAME: LAKEFIELD OF THE LANDINGS AT WELLINGTON P.U.D.

0269-018  
~~0269-021~~



Landmark Surveying & Mapping Inc.  
1850 FOREST HILL BOULEVARD  
PH. (561) 433-5405 SUITE 100 W.P.B. FLORIDA  
**LAKEFIELD OF THE LANDINGS AT WELLINGTON P.U.D. PLAT 2A REPLAT**